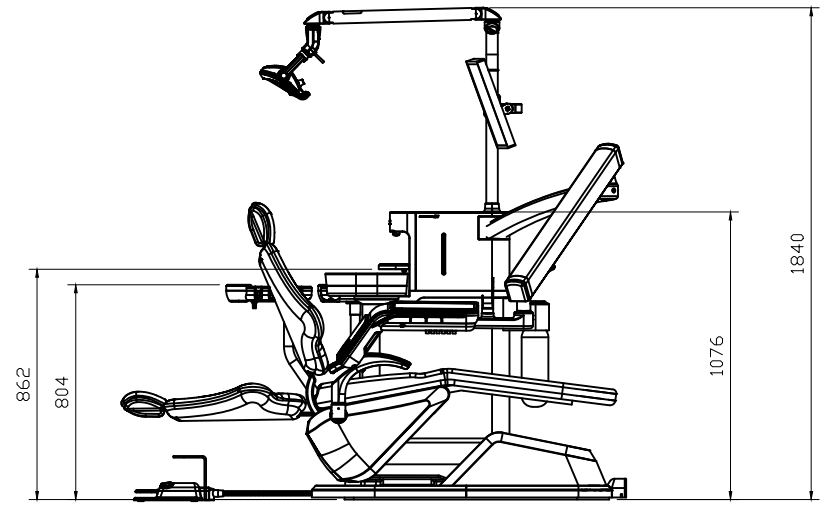
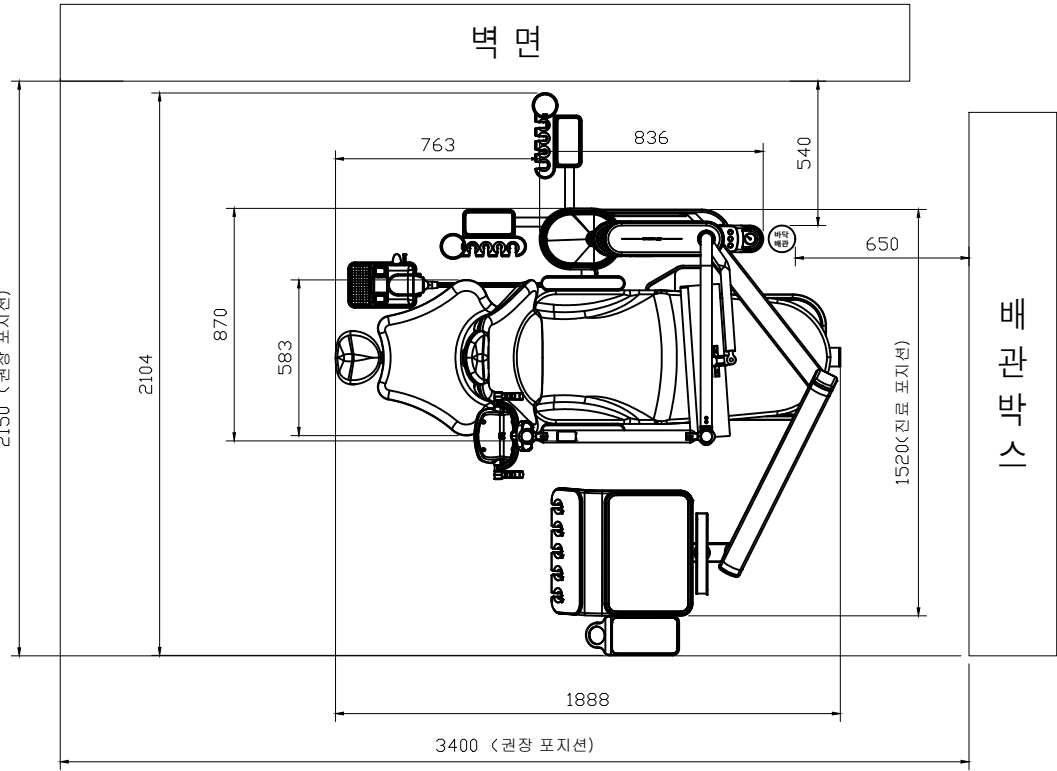


| REV. | NAME | ZONE | DESCRIPTION | DATE |
|------|------|------|-------------|----------|
| 1.00 | 김재우D | All | N2 Size_Arm | 21.06.29 |
| | | | | |
| | | | | |



ISOMETRIC (1:80)

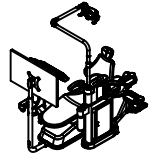


| TOLERANCES OF DIMENSIONS ISO 2768-F | | NO. | PART NAME | MATERIAL | Q'TY | STANDARD | | REMARK | |
|-------------------------------------|-----------|-------------|------------------|-------------|------------|--------------|------------------|----------|------------------|
| Dimension | Tolerance | 1 | N2 UnitChair_Arm | - | 1 | A3 (420x297) | | 바닥 Size | |
| 0.5 - 3 | ±0.05 | DESIGNED BY | DRAWN BY | APPROVED BY | DEPARTMENT | SCALE | ANGLE PROJECTION | TITLE | DENTAL UnitChair |
| 3 - 6 | ±0.05 | 김재우D | | | 체어개발팀 | 1/20 | | | UnitChair |
| 6 - 30 | ±0.10 | / | / | / | / | | | PART NO. | - |
| 30 - 120 | ±0.15 | | | | | | | | |
| 120 - 400 | ±0.20 | | | | | | | | |
| 400 - 1000 | ±0.30 | | | | | | | | |
| 1000 - 2000 | ±0.50 | | | | | | | | |

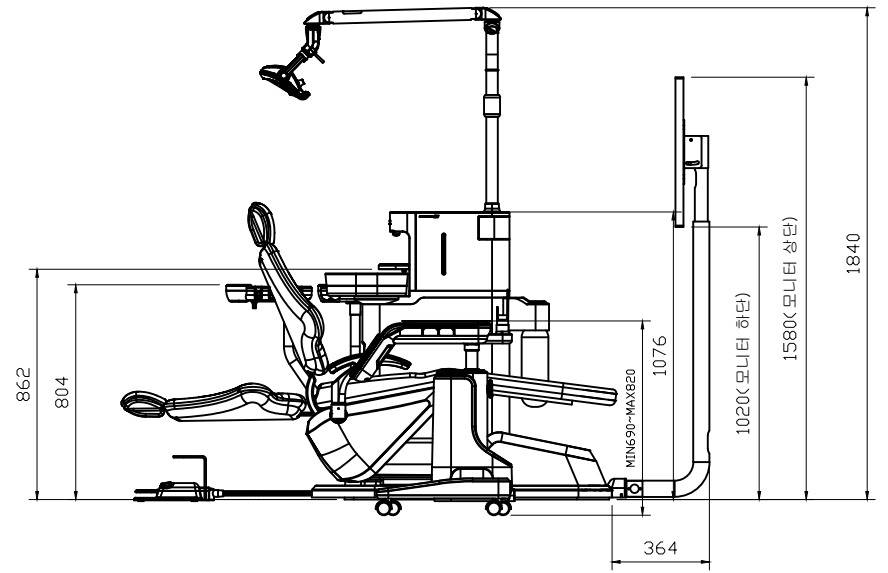
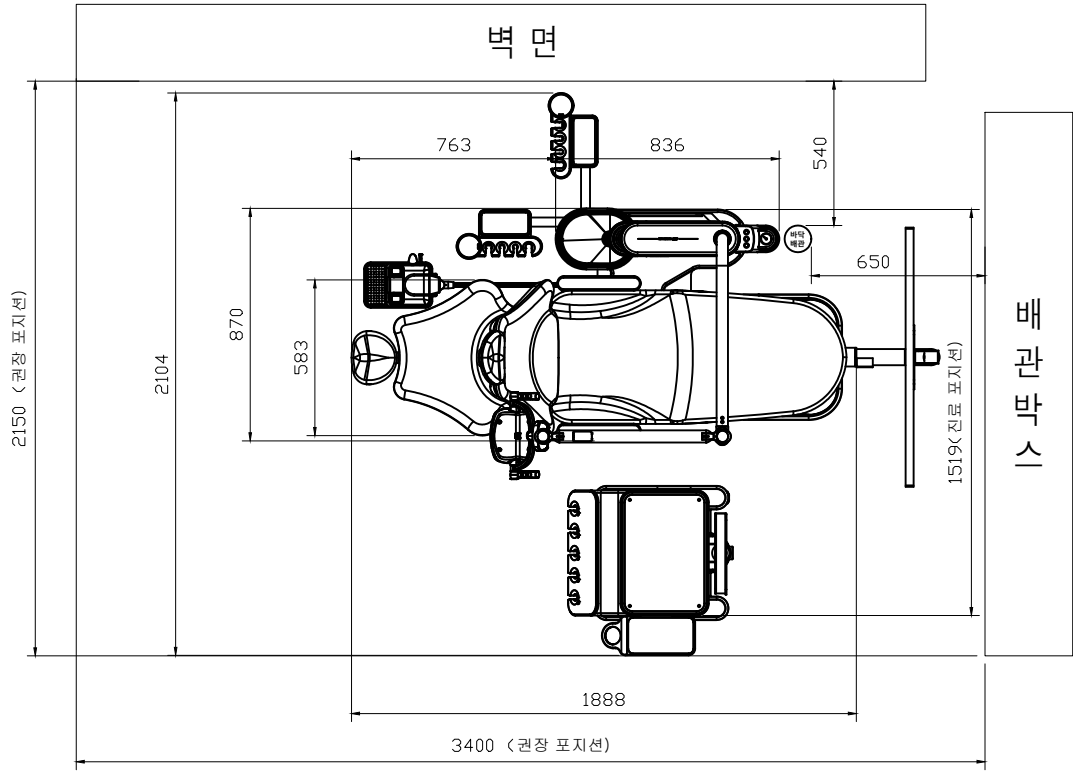


THIS DRAWING IS PROTECTED BY COPYRIGHT AS AN UNPUBLISHED WORK.
 UNAUTHORIZED REPRODUCTION OF THIS DRAWING IS NOT PERMITTED.
 THIS DRAWING CONTAINS PROPRIETARY AND CONFIDENTIAL INFORMATION.
 All dimensions are in millimeters.

| REV. | NAME | ZONE | DESCRIPTION | DATE |
|------|------|------|--------------|----------|
| 1.00 | 김재우D | All | N2 Size_Cart | 21.06.29 |
| | | | | |
| | | | | |



ISOMETRIC (1:80)



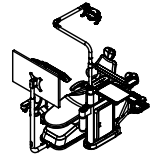
배관박스

| TOLERANCES OF DIMENSIONS ISO 2768-F | | NO. | PART NAME | MATERIAL | Q'TY | STANDARD | | REMARK | |
|-------------------------------------|-----------|-------------|-------------------|-------------|------------|--------------|------------------|----------|------------------|
| Dimension | Tolerance | 1 | N2 UnitChair_Cart | - | 1 | A3 (420x297) | | 바닥 Size | |
| 0.5 - 3 | ±0.05 | DESIGNED BY | DRAWN BY | APPROVED BY | DEPARTMENT | SCALE | ANGLE PROJECTION | TITLE | DENTAL UnitChair |
| 3 - 6 | ±0.05 | 김재우D | | | 체어개발팀 | 1/20 | | | UnitChair |
| 6 - 30 | ±0.10 | / | / | / | / | | | PART NO. | - |
| 30 - 120 | ±0.15 | | | | | | | | |
| 120 - 400 | ±0.20 | | | | | | | | |
| 400 - 1000 | ±0.30 | | | | | | | | |
| 1000 - 2000 | ±0.50 | | | | | | | | |

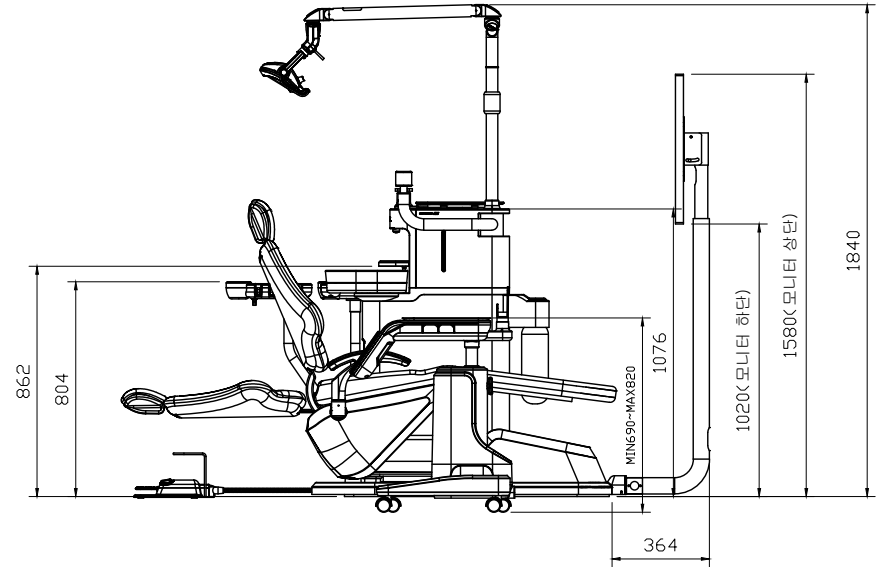
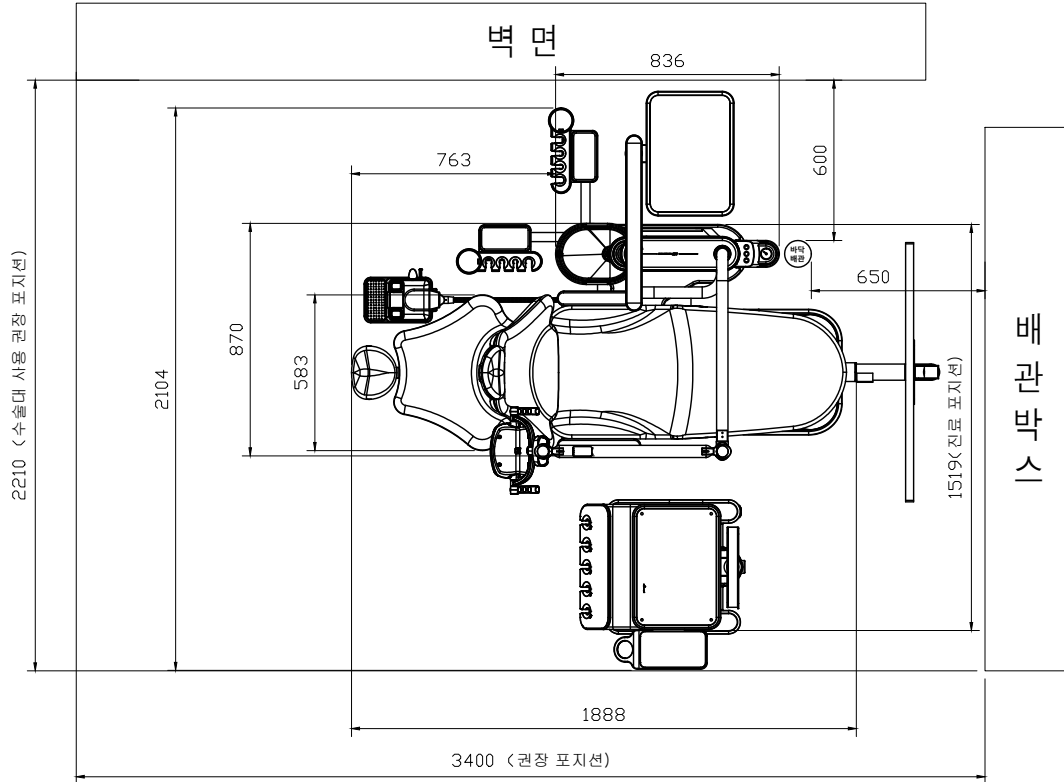


THIS DRAWING IS PROTECTED BY COPYRIGHT AS AN UNPUBLISHED WORK.
 UNAUTHORIZED REPRODUCTION OF THIS DRAWING IS NOT PERMITTED.
 THIS DRAWING CONTAINS PROPRIETARY AND CONFIDENTIAL INFORMATION.
 All dimensions are in millimeters.

| REV. | NAME | ZONE | DESCRIPTION | DATE |
|------|------|------|----------------------------|----------|
| 1.00 | 김재우D | All | N2 Size_Cart_수술대 Position1 | 21.09.13 |
| | | | | |
| | | | | |



ISOMETRIC (1:80)



배관박스

| TOLERANCES OF DIMENSIONS ISO 2768-F | | NO. | PART NAME | MATERIAL | Q'TY | STANDARD | | REMARK | |
|-------------------------------------|-----------|-------------|-------------------|-------------|------------|--------------|------------------|----------|------------------|
| Dimension | Tolerance | 1 | N2 UnitChair_Cart | - | 1 | A3 (420x297) | | 바닥 Size | |
| 0.5 - 3 | ±0.05 | DESIGNED BY | DRAWN BY | APPROVED BY | DEPARTMENT | SCALE | ANGLE PROJECTION | TITLE | DENTAL UnitChair |
| 3 - 6 | ±0.05 | 김재우D | | | 체어개발팀 | 1/20 | | | UnitChair |
| 6 - 30 | ±0.10 | / | / | / | / | | | | |
| 30 - 120 | ±0.15 | | | | | | | PART NO. | - |
| 120 - 400 | ±0.20 | | | | | | | | |
| 400 - 1000 | ±0.30 | | | | | | | | |
| 1000 - 2000 | ±0.50 | | | | | | | | |



THIS DRAWING IS PROTECTED BY COPYRIGHT AS AN UNPUBLISHED WORK.
 UNAUTHORIZED REPRODUCTION OF THIS DRAWING IS NOT PERMITTED.
 THIS DRAWING CONTAINS PROPRIETARY AND CONFIDENTIAL INFORMATION.
 All dimensions are in millimeters.